

# Customer Information Sheet

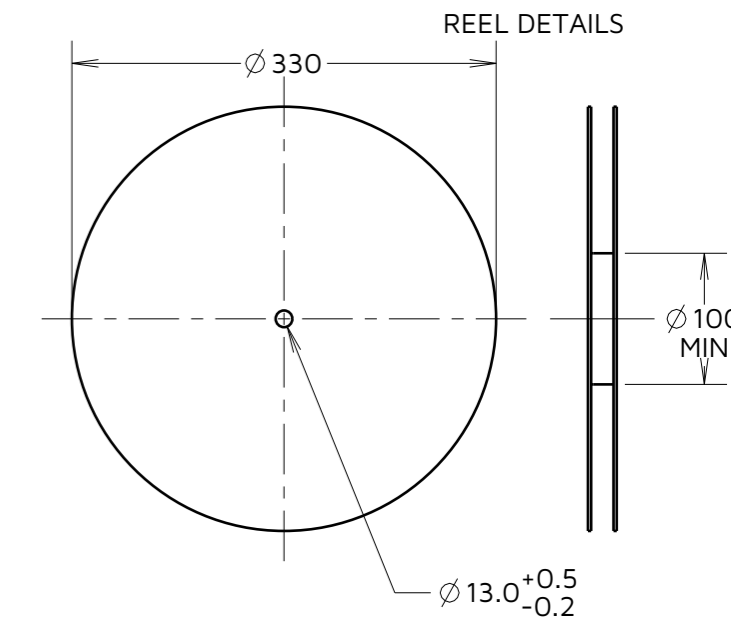
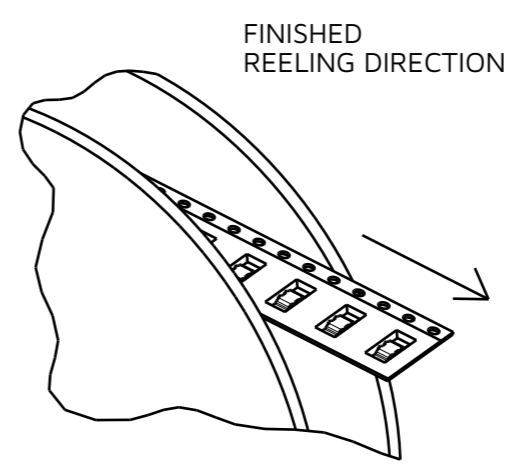
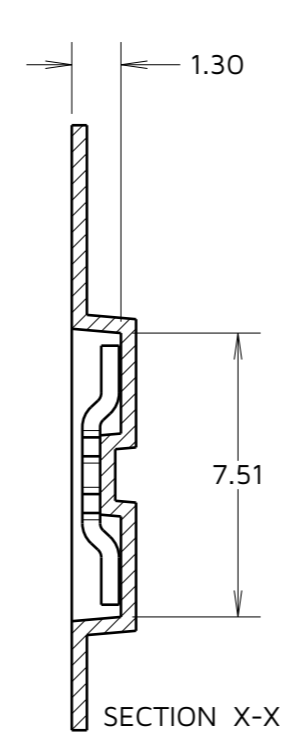
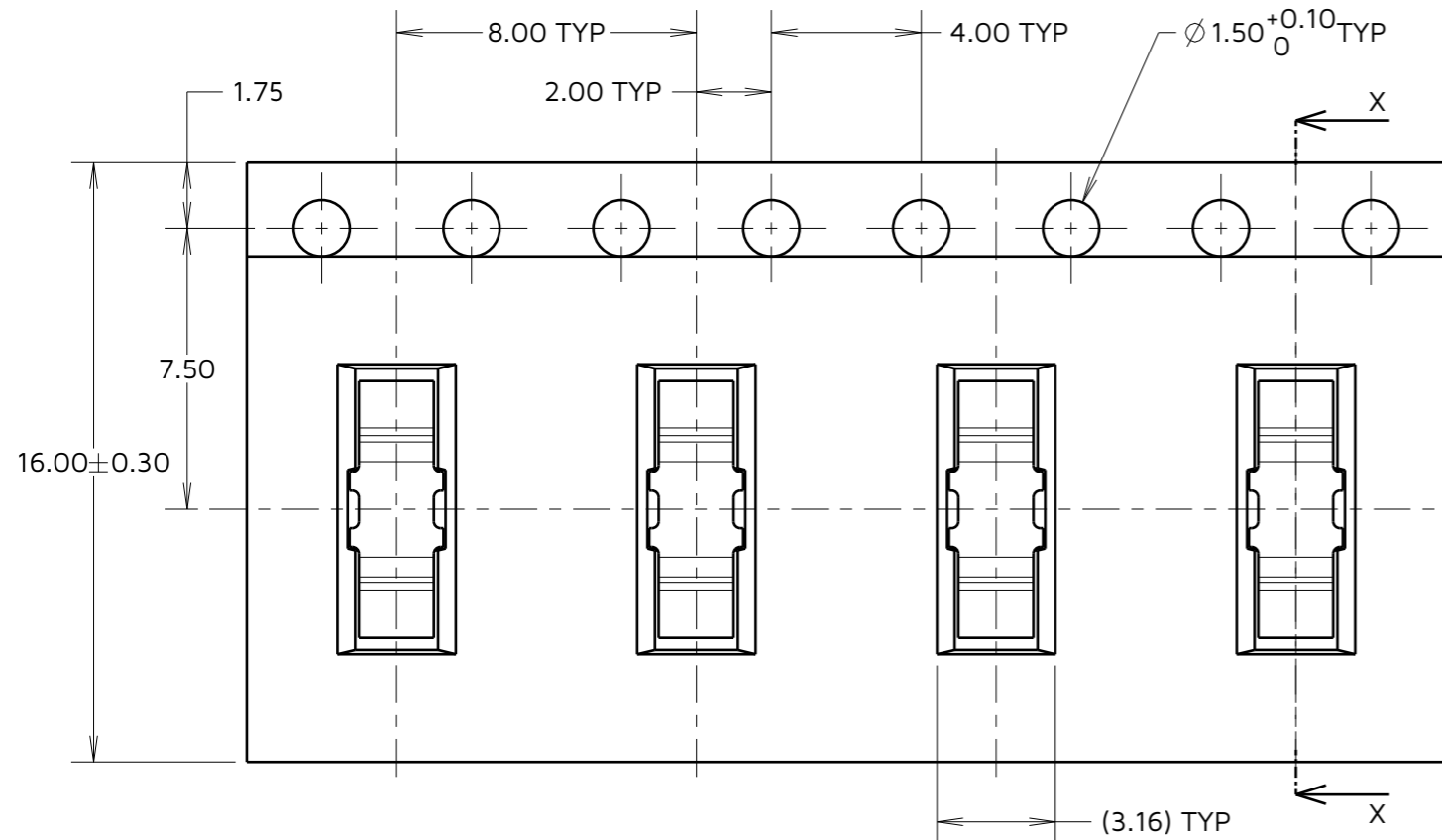
IF IN DOUBT - ASK

©

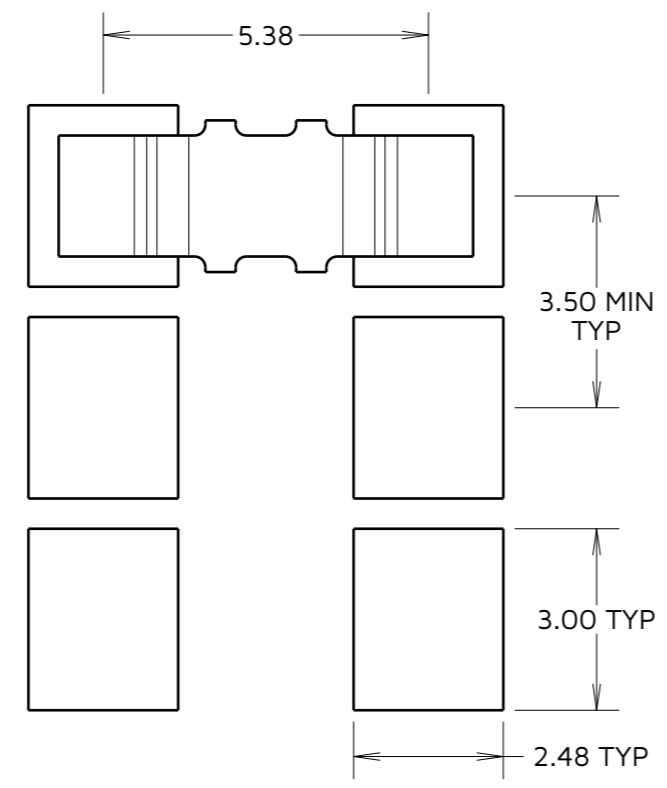
NOT TO SCALE

THIRD ANGLE PROJECTION

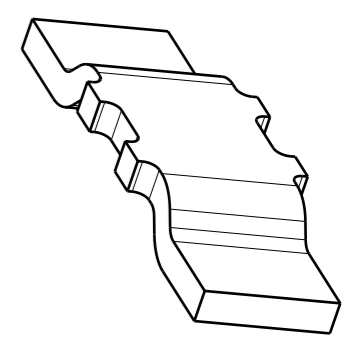
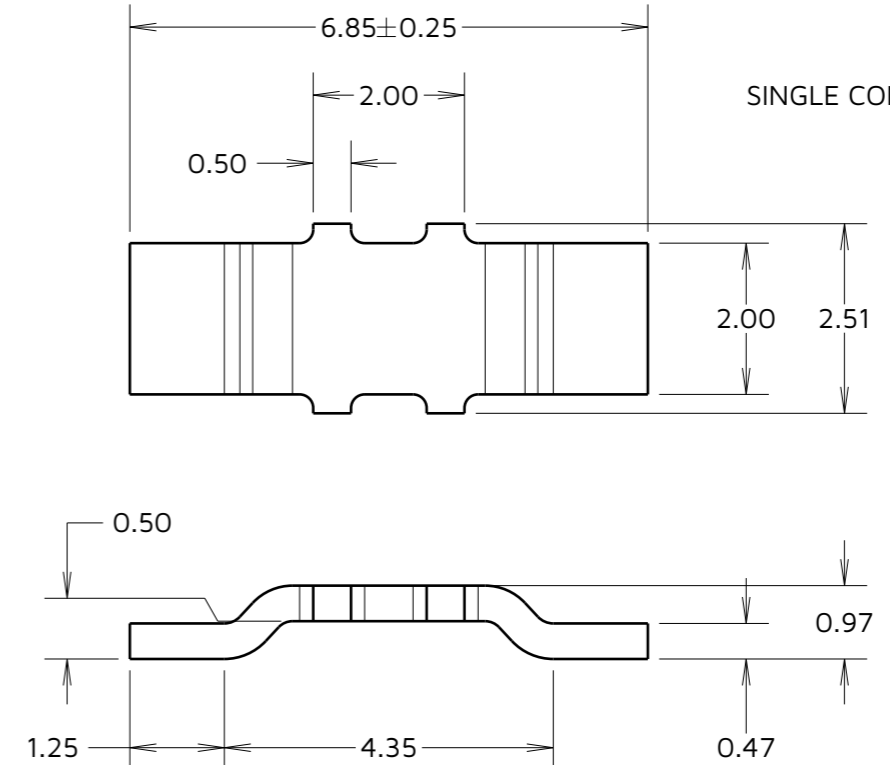
ALL DIMENSIONS IN mm



RECOMMENDED PAD LAYOUT



SINGLE COMPONENT DIMENSIONS



VIEW OF SINGLE COMPONENT

COMPONENT SPECIFICATION:  
 MATERIAL = BRASS CW508L  
 H110 TO BS EN 1652  
 COMPOSITION (IN ACCORDANCE WITH BS EN 1652)  
 FINISH = 100% TIN OVER NICKEL  
 ELECTRICAL:  
 CURRENT RATING = 10A (30°C TEMP RISE)  
 CONTACT RESISTANCE = 20mΩ MAX  
 ENVIRONMENTAL:  
 OPERATING TEMPERATURE = -40°C TO +125°C

- NOTES:  
 1. QUANTITY OF COMPONENTS PER REEL = 4,000.  
 2. THIS PRODUCT IS TAPED AND REELED IN GENERAL ACCORDANCE WITH EIA-481 (ELECTRONIC INDUSTRIES ASSOCIATION).

AY	6	12.02.24	33594
NAME	ISS.	DATE	CN/CO
APPROVED: A.YEOMANS			
CHECKED: R.PORTLOCK			
DRAWN: S.BENNETT			
ASSEMBLY DRG:			

**HARWIN**

www.harwin.com

TOLERANCES  
 X. = ±1mm  
 X.X = ±0.50mm  
 X.XX = ±0.20mm  
 X.XXX = ±0.01mm  
 ANGLES = ±5°  
 UNLESS STATED

THIS DRAWING AND ANY INFORMATION OR DESCRIPTIVE MATTER SET OUT HEREON ARE CONFIDENTIAL AND COPYRIGHT PROPERTY OF THE HARWIN GROUP AND MUST NOT BE DISCLOSED, LOANED, COPIED OR USED FOR MANUFACTURING, TENDERING OR FOR ANY OTHER PURPOSE WITHOUT THEIR WRITTEN PERMISSION.

MATERIAL:  
 SEE ABOVE

TITLE:  
**SMT JUMPER LINK  
 (TAPE AND REELED)**

DRAWING NUMBER:  
**S1911-46R**

SHT  
 2 OF 2